

HEATHKIT



ON
OFF

HI
TAC
LO

HORIZ POS
PULL FOR RANGE

HORIZ EXP
PULL FOR 1-CYL TAC

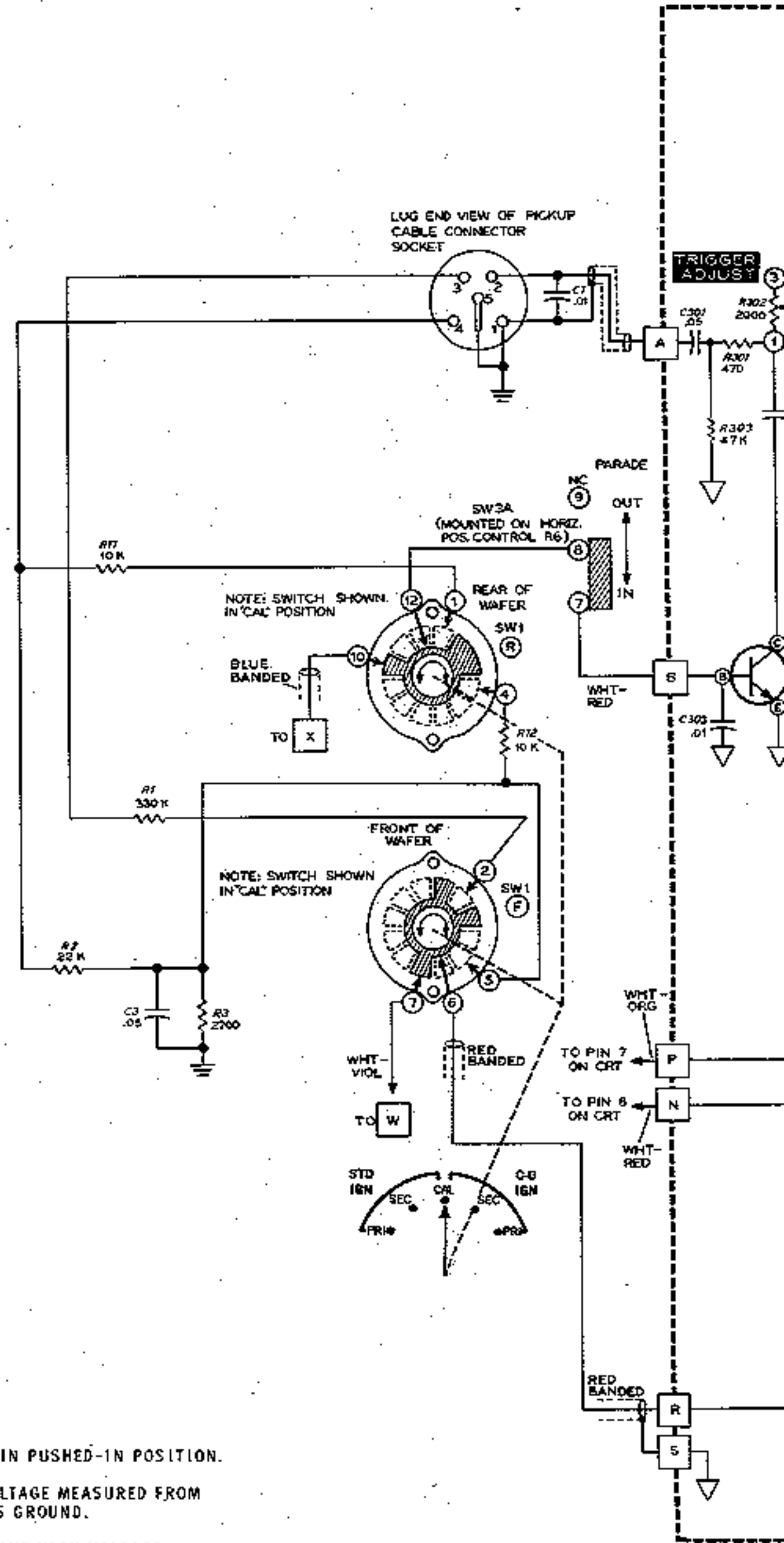
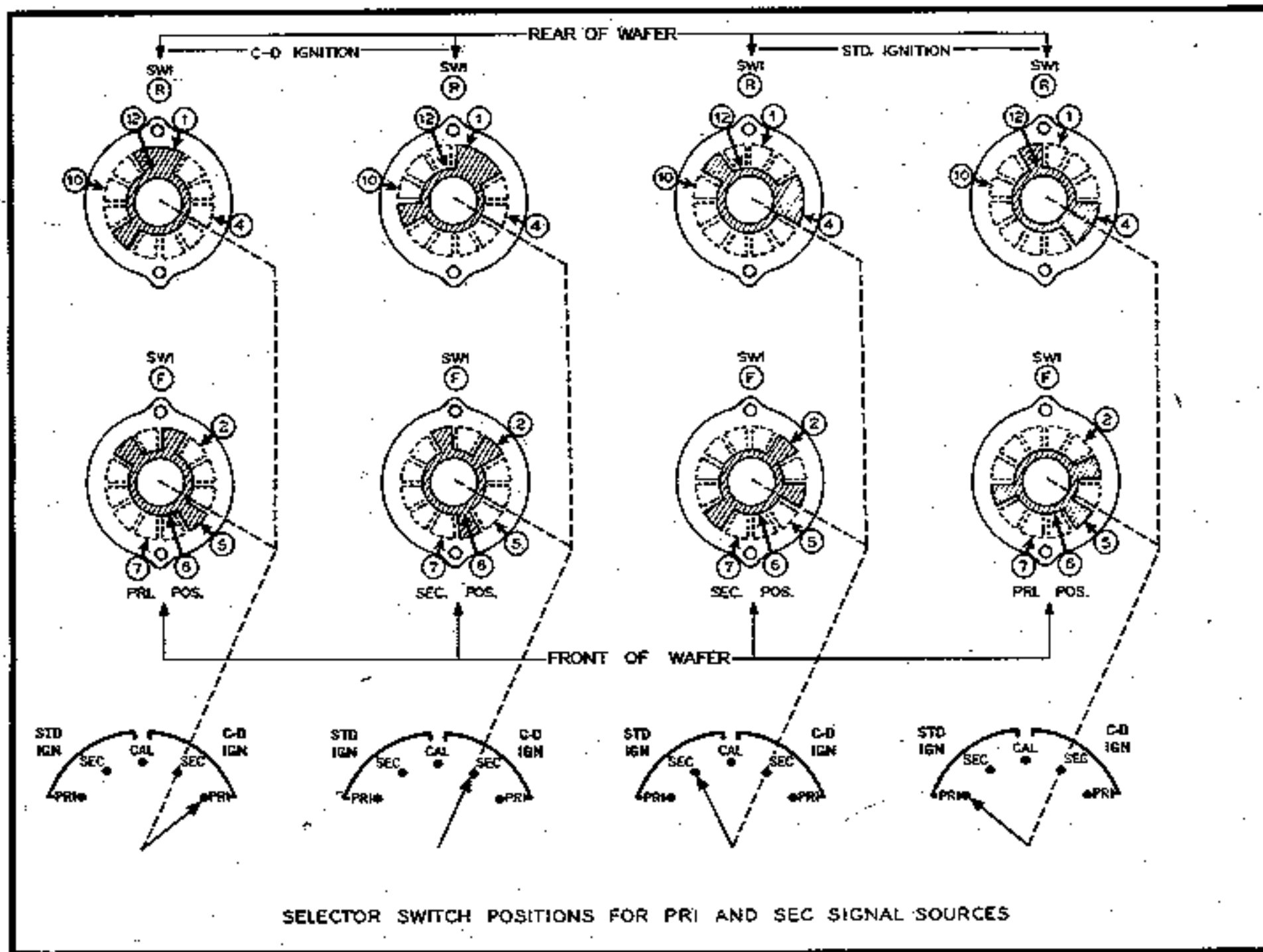
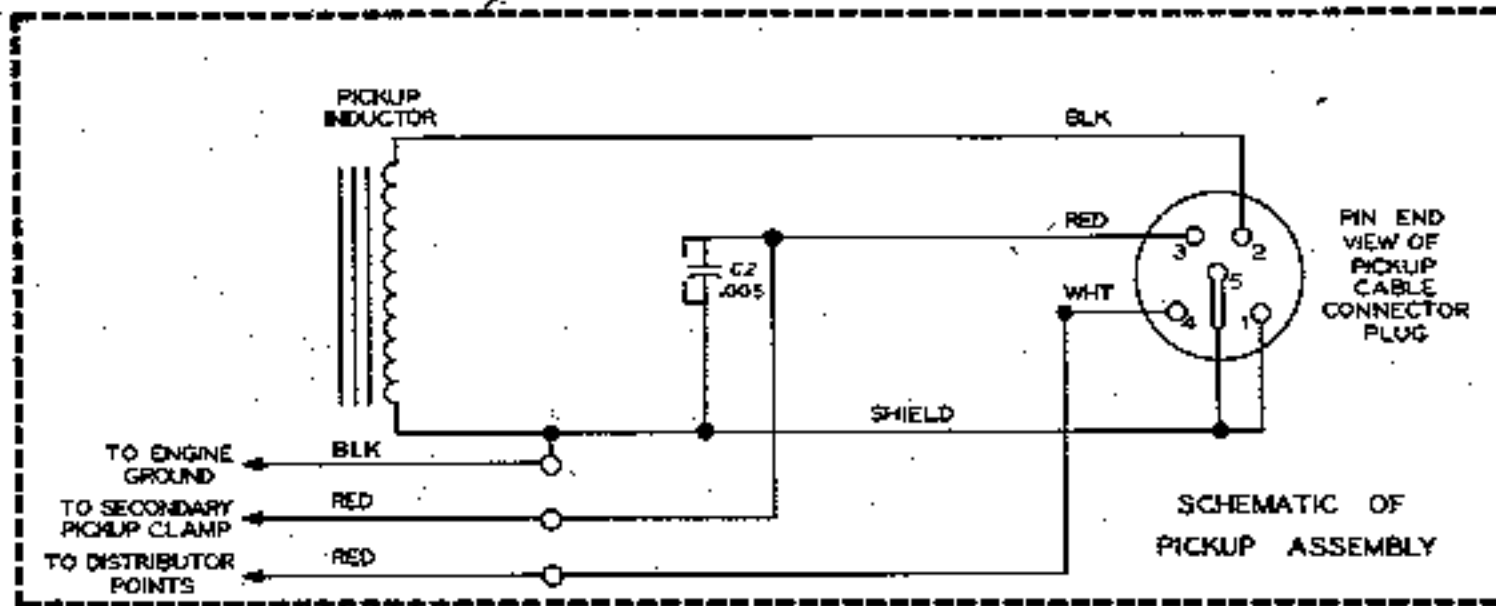
MODEL CO MS

STD IGN
SEC CAL
C-O IGN
SEC
PFD

VERT POS
PULL TO EXPAND

POWER

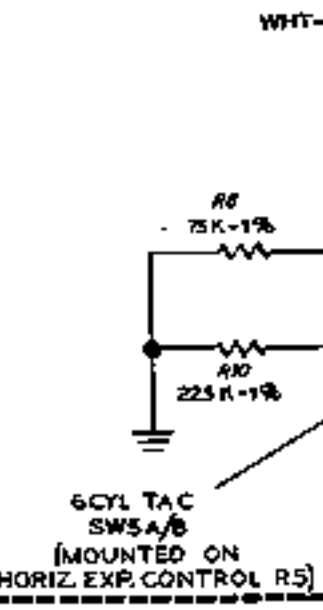




NOTES:

1. RESISTORS ARE 1/2 WATT UNLESS MARKED OTHERWISE. RESISTOR VALUES ARE IN OHMS (K-1000, M-1,000,000).
2. CAPACITOR VALUES LESS THAN 1 ARE IN μ F. CAPACITOR VALUES 1 OR ABOVE ARE IN pF UNLESS MARKED OTHERWISE.
3. VOLTAGE MEASUREMENTS WERE TAKEN USING A HIGH INPUT IMPEDANCE VOLTMETER FROM THE POINT INDICATED TO CHASSIS GROUND. VOLTAGES MAY VARY $\pm 20\%$. MEASUREMENTS OBTAINED WITH SELECTOR SWITCH (SW 1) IN CAL POSITION.
4. ALL PARTS WITHIN THE DASHED LINE AREA ARE MOUNTED ON THE CIRCUIT BOARD.
5. SELECTOR SWITCH SW1 SHOWN IN CALIBRATE POSITION AND VIEWED FROM WAFER END OF SWITCH.
6. SWITCH SW4 SHOWN IN LOW POSITION.
7. SWITCH SW6 SHOWN IN ON POSITION.
8. SWITCHES SW2, SW3, AND SW5 SHOWN IN PUSHED-IN POSITION.
9. THIS SYMBOL INDICATES A DC VOLTAGE MEASURED FROM THE POINT INDICATED TO CHASSIS GROUND.
10. THIS SYMBOL INDICATES A NEGATIVE HIGH VOLTAGE MEASURED FROM THE POINT INDICATED TO CHASSIS GROUND. (CAUTION: HIGH VOLTAGE)
11. THIS SYMBOL INDICATES CIRCUIT GROUND (COMMON FOIL) ON CIRCUIT BOARD.
12. THIS SYMBOL INDICATES CHASSIS GROUND.
13. THIS SYMBOL INDICATES CIRCUIT BOARD WIRE CONNECTING POINTS.
14. ARROW ON CONTROL INDICATES COUNTERCLOCKWISE ROTATION AS VIEWED FROM SHAFT END OF CONTROL.

SCHMATIC OF THE
HEATHKIT®
SOLID-STATE IGNITION ANALYZER
MODEL CO-1015



LUG END VIEW OF PICKUP CABLE CONNECTOR SOCKET

TRIGGER ADJUST

SW3A (MOUNTED ON HORIZ. POS. CONTROL R6)

REAR OF WAFER

FRONT OF WAFER

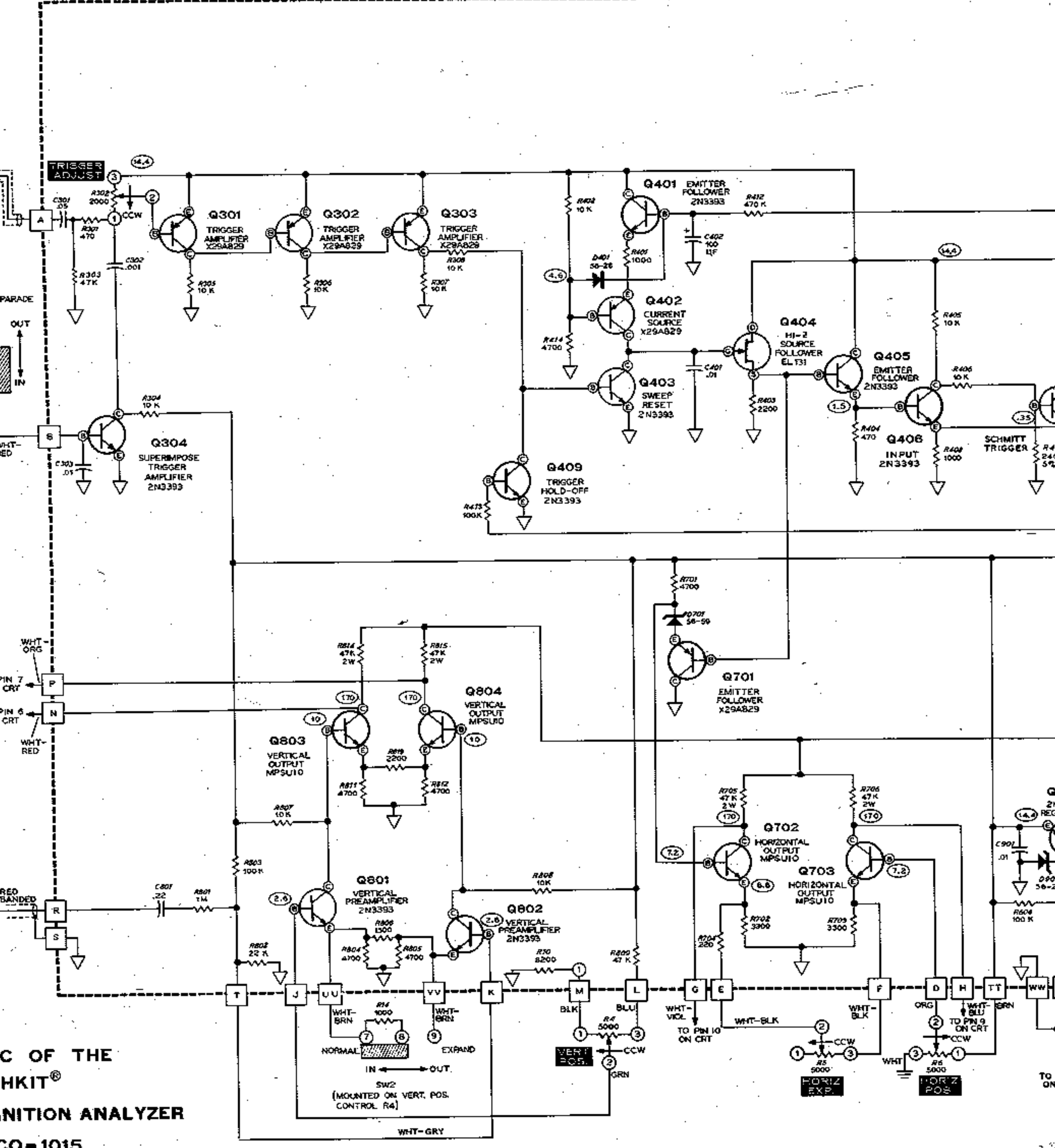
TO PIN 7 ON CRT

TO PIN 6 ON CRT

STD IGN SEC CAL SEC C-0 IGN

RED BANDED

SCHEMATIC OF THE HEATHKIT® SOLID-STATE IGNITION ANALYZER MODEL CO-1015



TO PIN 9 ON CRT

TO PIN 10 ON CRT

